

## Levelling feet

Foot plastic / female thread Stainless Steel

### SPECIFICATION

#### Types

- Type **A**: without rubber underlay
- Type **G**: with rubber underlay

Foot: Plastic (Polyamide PA)

- glass, fibre reinforced
- black, matt
- temperature resistant up to 100 °C

Female thread

Stainless Steel AISI 303

Rubber underlay (NBR)

70 Shore A, black



### INFORMATION

Levelling feet GN 343.7 are capable of withstanding high static loads through the use of a high density plastic material coupled with a design which distributes the load over a larger area.

Exceeding the static values specified in the table could lead to failure of the plastic component.

The values have been arrived at by a series of load tests whereby a defined number of levelling feet were subjected to a vertical load over a defined period.

Under normal operating conditions side loading or angular loading is not uncommon and the load capacity would be considerably reduced which must be taken into consideration.

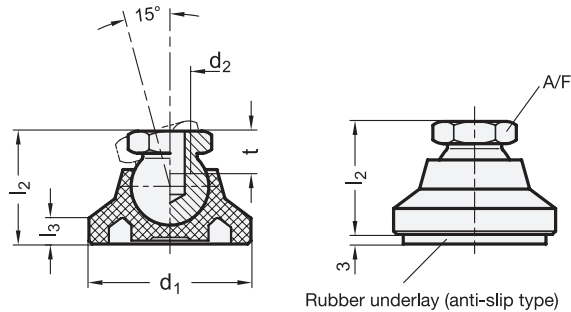
Levelling feet GN 343.7 are supplied assembled, but are removable.

### TECHNICAL INFORMATION

- Stainless Steel characteristics (see page A26)
- Elastomer characteristics (see page A32)
- Plastic characteristics (see page A2)

### ON REQUEST

- ESD version (conductive plastic cap to avoid electrostatic charging)



\* Complete with type index of the Levelling feet (A or G)

- |                         |                      |
|-------------------------|----------------------|
| <b>A</b>                | <b>G</b>             |
| without rubber underlay | with rubber underlay |

### GN 343.7

Description	d1	d2	l2	l3	A/F	t min.	Static load in kN	⚖
GN 343.7-25-M6-*	25	M 6	18.5	4	12	9	5	14
GN 343.7-25-M8-*	25	M 8	18.5	4	12	9	5	14
GN 343.7-32-M8-*	32	M 8	22.5	5	12	9	7	22
GN 343.7-32-M10-*	32	M 10	22.5	5	15	10.5	7	22
GN 343.7-40-M10-*	40	M 10	25.5	6	15	10.5	10	26
GN 343.7-40-M12-*	40	M 12	25.5	6	17	11.5	10	33
GN 343.7-50-M10-*	50	M 10	27.5	7	15	10.5	10	44
GN 343.7-50-M12-*	50	M 12	27.5	7	17	11.5	10	39
GN 343.7-60-M12-*	60	M 12	35.5	8.5	17	11.5	14	69
GN 343.7-60-M16-*	60	M 16	35.5	8.5	24	16	14	78

Weight type A

